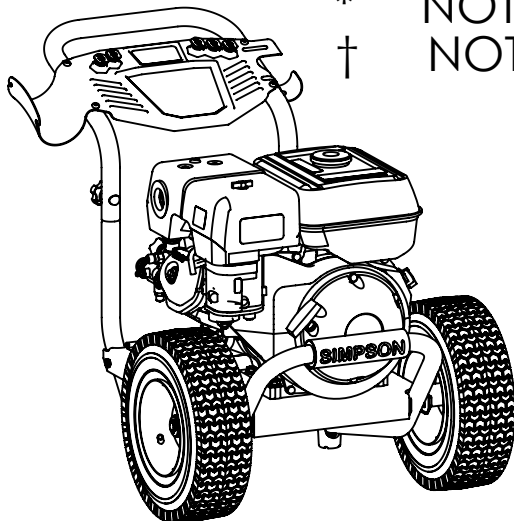


ITEM	PART NO.	DESCRIPTION	QTY
1	7107275	FRAME, AL SVC ASSY W/LABELS	1
† 1.1		BASE TUBE, AL CORNER MOUNT FRAME 13.25" C-C	1
† 1.2		PLATE, HORIZONTAL BASE FRAME, AL, 13/25" C-C	1
† 1.3		SUB-FRAME, ALUMINUM HORIZONTAL 13.25" C-C	1
† 1.4		AXLE, Ø .625 X 21.91	1
† 1.5		BRACKET, AXLE HORIZONTAL	2
† 1.6		BOLT, 5/16"-18 x 2 1/4"	4
† 1.7		WASHER, SADDLE 5/16 X 1.0 X 0.060	2
† 1.8		NUT, 5/16"-18 NYLOCK	4
† 1.9		BOLT, 3/8"-16 x 3/4"	1
† 1.10		NUT, 3/8"-16 WHIZ	1
2	7107277	HANDLE, SVC ASSY W/LABELS	1
† 2.1		HANDLE TUBE, AL CORNER MOUNT FRAME 13.25" C-C	1
† 2.2		PLATE, DASHBOARD 13.25" C-C	1
† 2.3		HOLDER, NOZZLE 3PC RUBBER STRIP	1
† 2.4		HOLDER, NOZZLE 2PC RUBBER STRIP	1
† 2.5		SCREW, TORX PANHEAD 1/4"-20 x 3/4"	4
3	7107276	ENGINE, SVC ASSY GX270 RED HONDA	1
4	7105453	KEY, SHAFT 1/4" X 1/4" X 1-1/2"	1
5	7106901	PUMP, SVC ASSY	1
5.1	530004	PUMP, 4000PSI @ 3.3GPM HORIZONTAL TRIPLEX	1
† 5.2		BOLT, 3/8"-16 x 1 1/4"	4
† 5.3		WASHER, 3/8" SPLIT-LOCK	4
6	7105376	KIT, 10" WHEEL SERVICE	2
† 6.1		WHEEL, 13" BLACK	1
† 6.2		WASHER, 5/8" FLAT	1
† 6.3		CLIP, E-TYPE 0.625" x 0.042"	1
7	7107262	FOOT KIT, SERVICE KIT	2
† 7.1		FOOT, RECESSED RUBBER INSERT	1
† 7.2		SCREW, M6-1.0 X 31.8MM TORX PANHEAD W/SHOULDER	1
† 7.3		SPRING, .875 X .600 WAVE TYPE	1
† 7.4		WASHER, 5/16 X .045	1
8	7103277	HARDWARE KIT, ENGINE MOUNTING	1
† 8.1		BOLT, 3/8"-16 x 2" SERRATED FLANGE	4
† 8.2		NUT, 3/8"-16 WHIZ	4
9	7103279	KIT, PUMP MOUNTING HARDWARE	1
† 9.1		BOLT, 3/8"-16 x 1 1/4"	4
† 9.2		WASHER, 3/8" SPLIT-LOCK	4
10	7104570	HARDWARE KIT, HANDLE MOUNTING	2
† 10.1		BOLT, SADDLE 5/16"-18 x 2"	1
† 10.2		KNOB, HANDLE 5/16-18	1
11	7106201	NOZZLE SET, 3.2 QC-M 5PC	1
12	7106671	HANDLE GRIP, SIMPSON BLACK W/ WHITE LETTERING	1
13	7107183	GUN, 4500PSI, 6.6GPM, 3/8 QC(M) W/DIAL-N-WASH	1
14	7103261	LANCE, 31" 1/4"QC-F x M22(M)	1
15	7103642	HOSE, 3/8" x 50' x 4500PSI WIRE BRAID	1
16	7102207	SOAP HOSE AND FILTER KIT	1
* 17	7102045	TOOL, NOZZLE CLEANING, UNIVERSAL	1
* 18	7107208	MANUAL, ALH4033 MODEL SPECIFIC OPERATOR'S	1
* 19	7107209	BOX, ALH4033 MODEL SPECIFIC SHIPPING	1

* NOT SHOWN

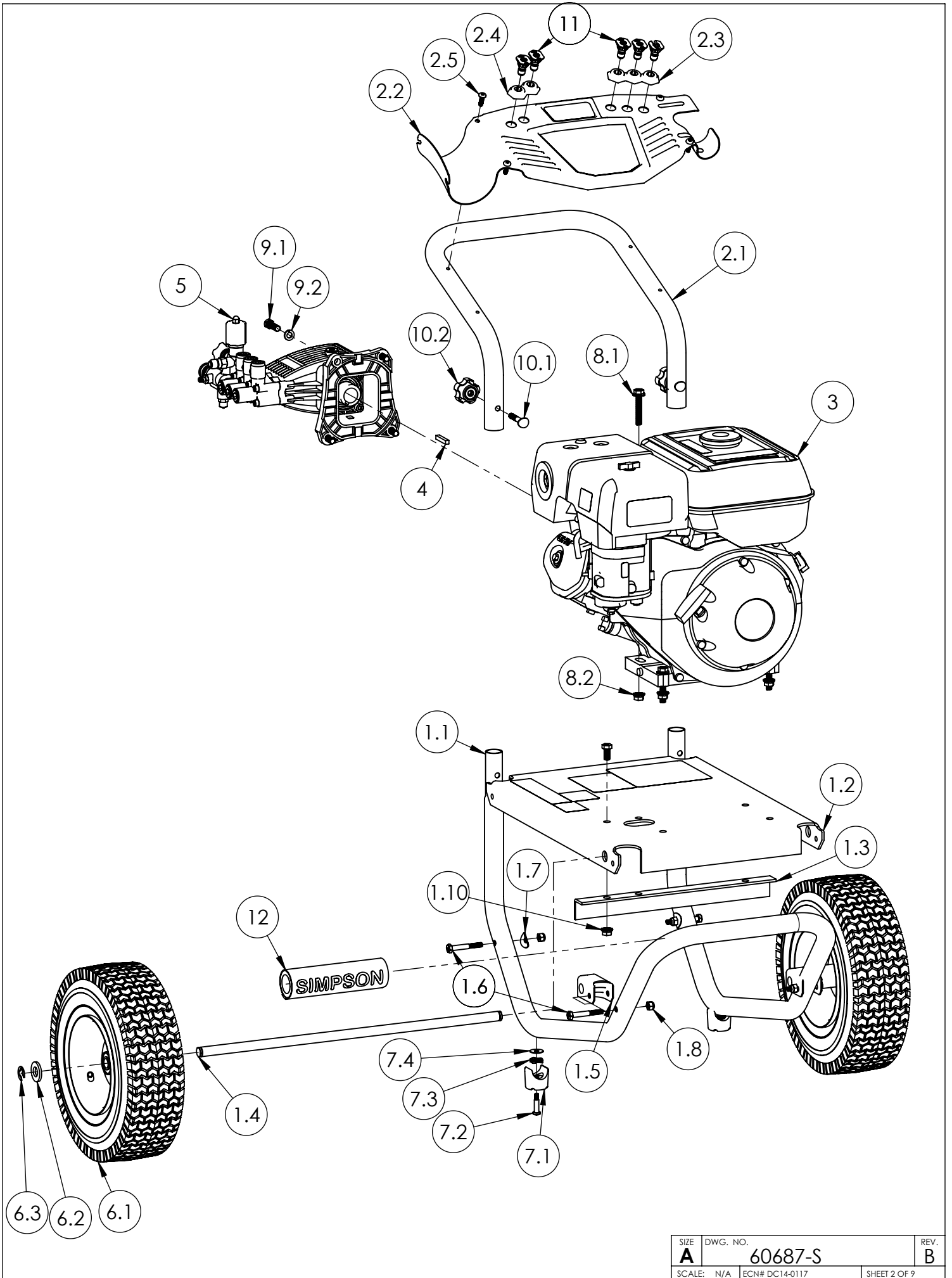
† NOT SOLD SEPERATELY



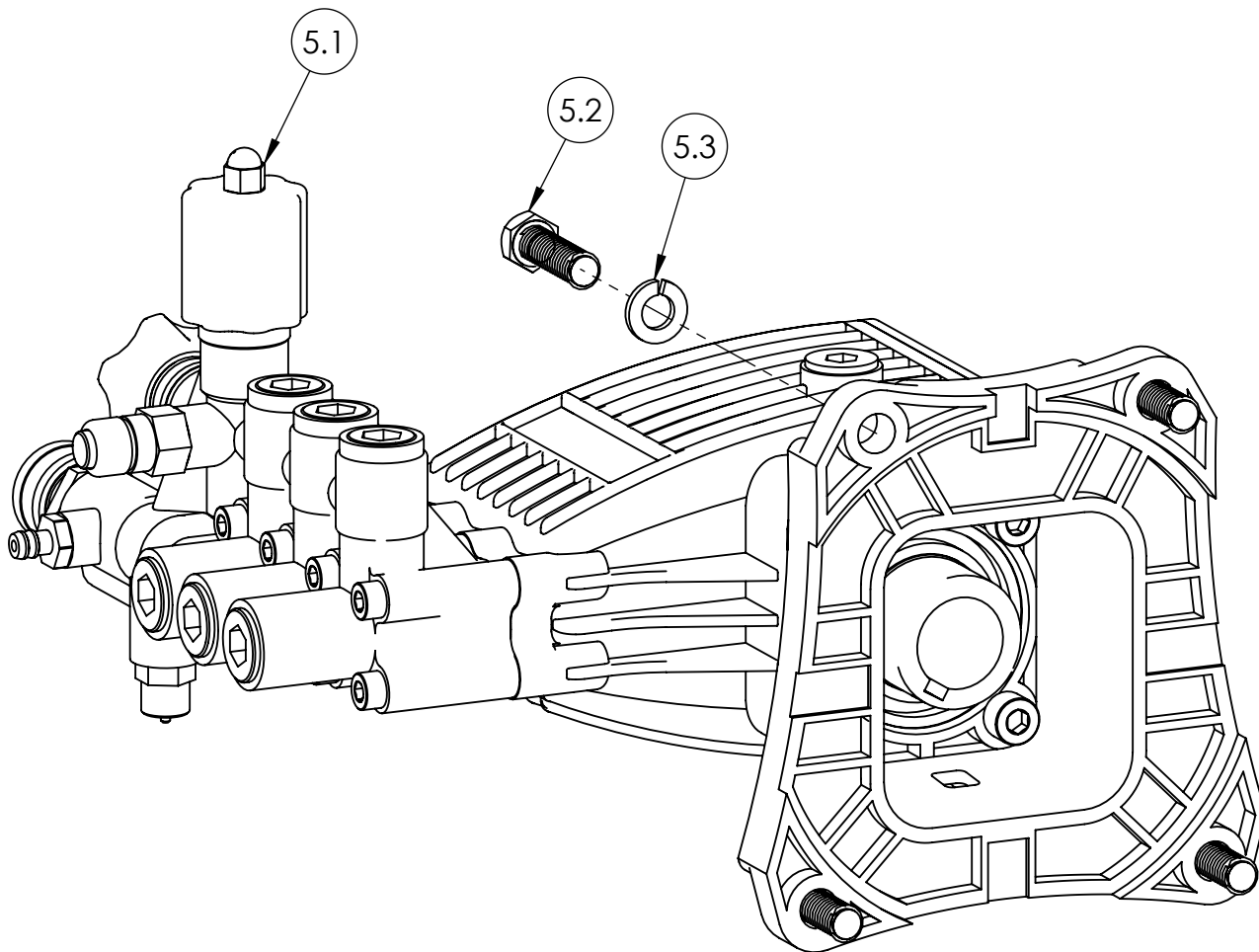
PUMP INFORMATION TABLE			
MACHINE SERIAL NO.	PUMP TYPE	PUMP PART NO.	PUMP KIT NO.
729614 TO PRESENT	4000PSI @ 3.3GPM	530004	7106901

ONLY LATEST VERSION OF THE PUMP IS AVAILABLE FOR REPLACEMENT

NAME		DATE	FNA-GROUP 1265 INDUSTRIAL STREET, DECATUR, AR 72722 TITLE: ALH4033 SIMPSON 4000PSI @ 3.3GPM
DRAWN	TV	5/14/2014	
CHECKED	TV	5/19/2014	
ENG APPR.	M.G.	5/19/2014	
MFG APPR.	J.P.	10/16/2013	
Q.A. APPR.	J.C.	5/19/2014	
SERVICE APPR.	D.H.	10/9/2013	
PROPRIETARY AND CONFIDENTIAL THE INFORMATION CONTAINED IN THIS DRAWING IS THE SOLE PROPERTY OF FNA-GROUP. ANY REPRODUCTION IN PART OR AS A WHOLE WITHOUT THE WRITTEN PERMISSION OF FNA-GROUP IS PROHIBITED.			SIZE DWG. NO. A 60687-S REV. B
SCALE: N/A		ECN# DC14-0117	SHEET 1 OF 9



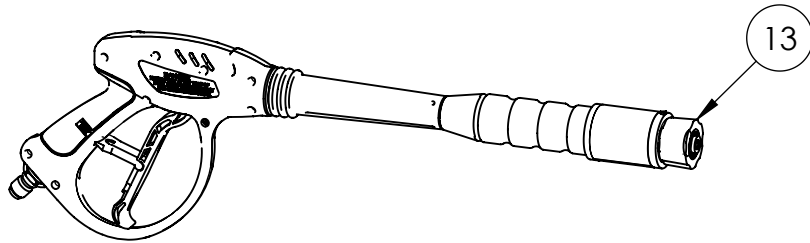
SIZE	DWG. NO.	REV.
A	60687-S	B
SCALE: N/A	ECN# DC14-0117	SHEET 2 OF 9



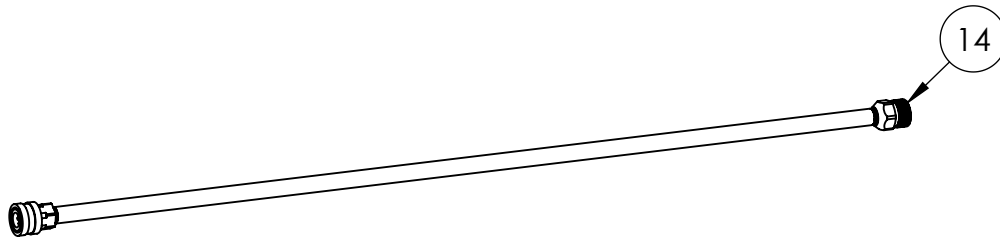
PUMP, SVC ASSY
PART NO. 7106901

ITEM	PART NO.	DESCRIPTION	QTY
5.1	530004	PUMP, 4000PSI @ 3.3GPM HORIZONTAL TRIPLEX	1
5.2		BOLT, 3/8"-16 x 1 1/4"	4
5.3		WASHER, 3/8" SPLIT-LOCK	4
* 4	7105453	KEY, 1/4" x 1/4" x 1 1/2" SHAFT	1

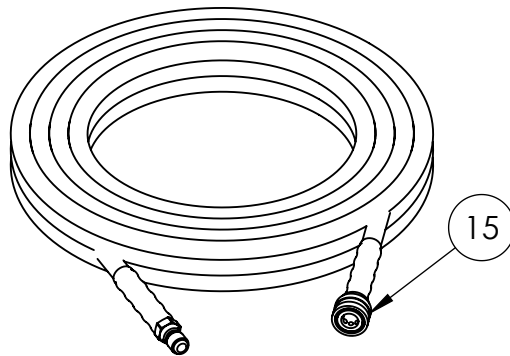
* NOT SHOWN



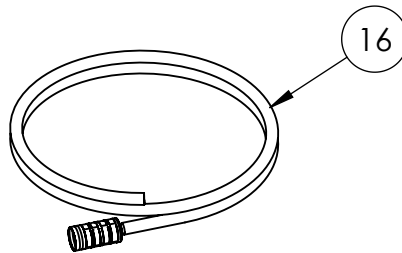
GUN, 4500PSI @ 6.6GPM 3/8" QC-M W/DIAL-N-WASH
PART NO. 7107183



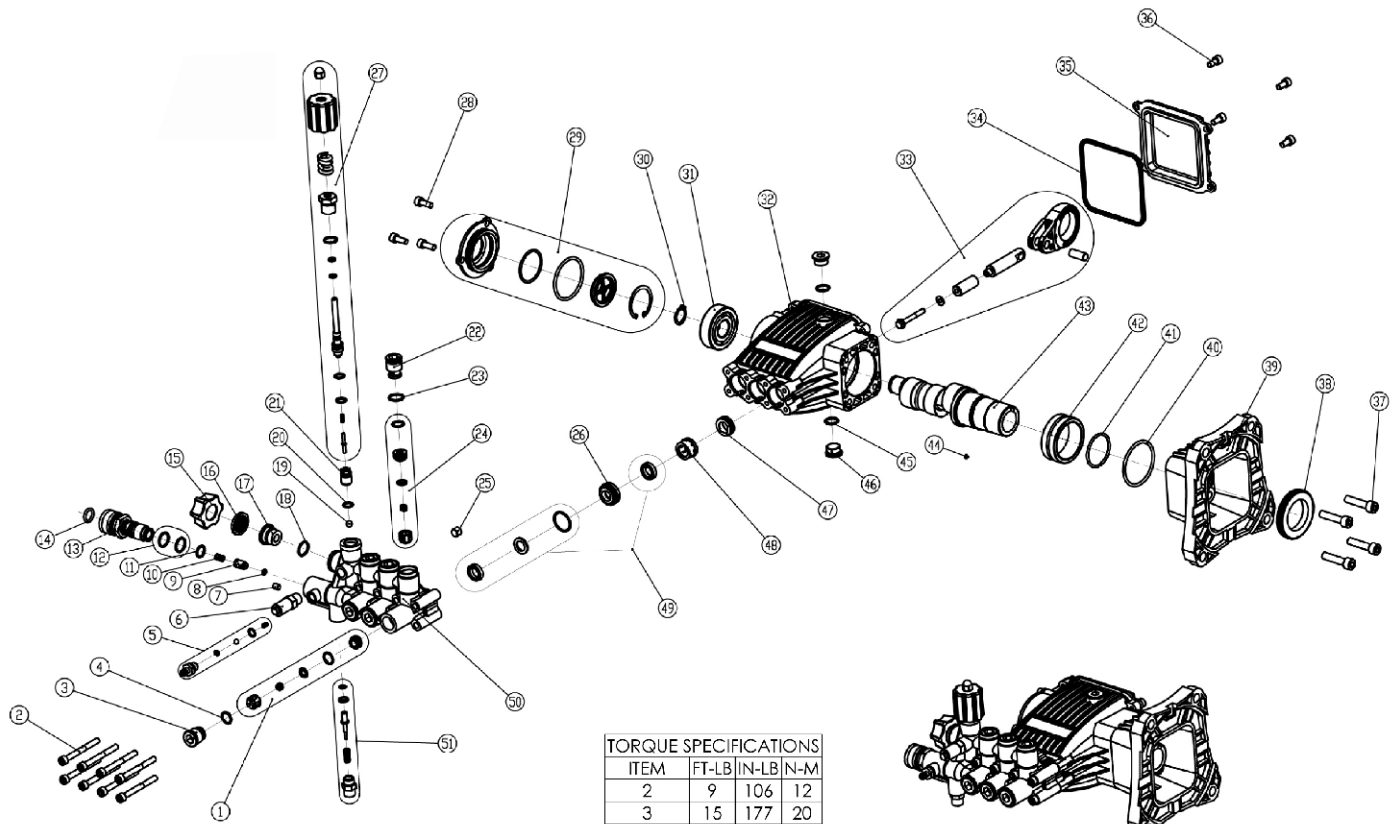
LANCE, 31" 1/4" QC-F x M22(M)
PART NO. 7103261



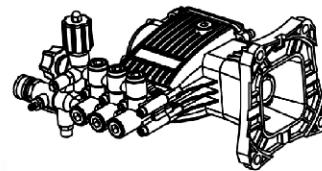
HOSE, 3/8" x 50' x 4500PSI RUBBER
PART NO. 7103642

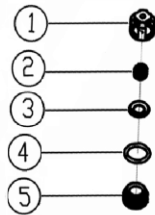


KIT, SOAP HOSE & FILTER
PART NO. 7102207



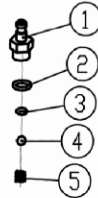
TORQUE SPECIFICATIONS			
ITEM	FT-LB	IN-LB	N-M
2	9	106	12
3	15	177	20
6	13	159	18
13	15	177	20
17	15	177	20
22	15	177	20
27	15	177	20
28	7	80	9
36	7	80	9
37	18	221	25
44	3	35	4
46	13	159	18
51	13	159	18





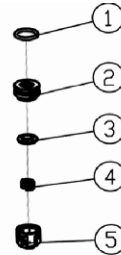
① **PART NO. 7106691**

OUTLET VALVE KIT		
ITEM	QTY	DESCRIPTION
1	3	VALVE, CAGE
2	3	VALVE, SPRING
3	3	VALVE, DISK
4	3	VALVE, O-RING
5	3	VALVE, SEAT



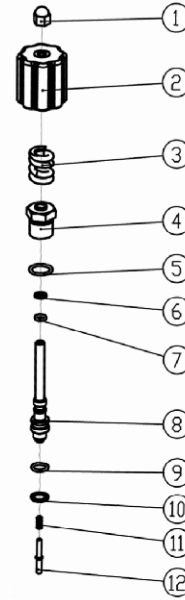
⑤ **PART NO. 7104228**

SOAP INJECTOR KIT		
ITEM	QTY	DESCRIPTION
1	1	HOSE BARB
2	1	O-RING
3	1	BALL, SOAP VALVE
4	1	SPRING, SOAP VALVE



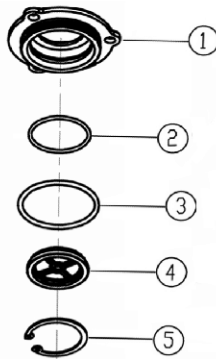
②④ **PART NO. 7106708**

INLET VALVE KIT		
ITEM	QTY	DESCRIPTION
1	3	O-RING
2	3	VALVE, SEAT
3	3	VALVE, DISK
4	3	VALVE, SPRING
5	3	VALVE, CAGE



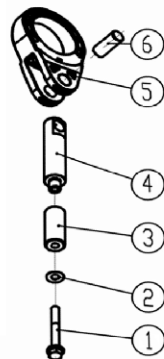
②⑦ **PART NO. 7106711**

UNLOADER KIT		
ITEM	QTY	DESCRIPTION
1	1	NUT, UNLOADER JAM
2	1	NUT, UNLOADER ADJUSTMENT
3	1	SPRING, UNLOADER
4	1	CORE, UNLOADER VALVE
5	1	O-RING
6	1	RING, BACK-UP RING, SPLIT
7	1	O-RING
8	1	POLE, UNLOADER VALVE
9	1	O-RING
10	1	RING, BACK-UP RING, SPLIT
11	1	PIN, SPRING
12	1	PIN, UNLOADER



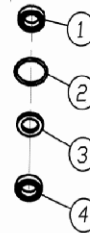
②⑨ **PART NO. 7106709**

CRANKCASE SIDE COVER KIT		
ITEM	QTY	DESCRIPTION
1	1	COVER, SIDE
2	1	O-RING
3	1	O-RING
4	1	SIGHT GLASS
5	1	RING, RETAINING



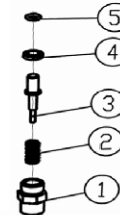
③③ **PART NO. 7106718**

CONNECTING ROD KIT		
ITEM	QTY	DESCRIPTION
1	3	BOLT
2	3	GASKET
3	3	PLUNGER, CERAMIC
4	3	BASE, PLUNGER POLE
5	3	ROD, CONNECTING
6	3	PIN, CONNECTING ROD



④⑨ **PART NO. 7106733**

HIGH AND LOW PRESSURE SEAL		
ITEM	QTY	DESCRIPTION
1	3	SEAL, LOW PRESSURE
2	3	O-RING
3	3	RING, ANTI-EXT
4	3	SEAL, HIGH PRESSURE



⑤① **PART NO. 7106628**

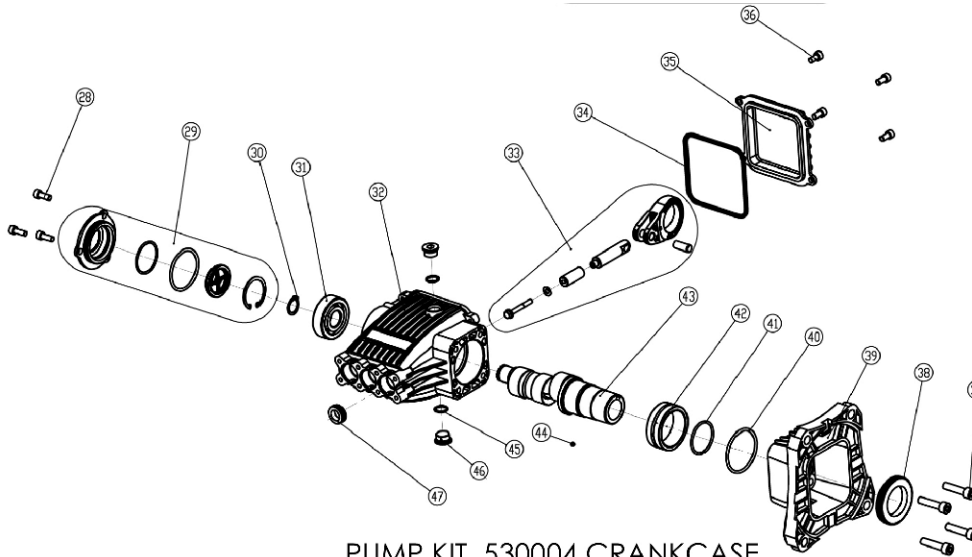
PRESSURE BOOST VALVE KIT		
ITEM	QTY	DESCRIPTION
1	1	VALVE, CAP
2	1	VALVE, SPRING
3	1	VALVE
4	1	VALVE, BACK RING
5	1	VALVE, O-RING

#530004 PUMP DRAWING PARTS

ITEM NO.	PART NO.	DESCRIPTION	QTY PER PUMP	COMMENT
1	7106691	Cage, Valve	3	Outlet Valve Kit
		Spring, Valve		
		Disk, Valve		
		O-Ring		
		Seat, Valve		
2	7106692	Screw	8	
3	7106693	Plug	3	
4	7106694	O-Ring	3	
5	7104228	Fitting, Soap Injection	1	Soap Injector Kit
		O-Ring		
		Ball, Soap Valve		
		O-Ring		
		Spring, Soap Valve		
6	7101359	Valve, Thermal Relief	1	
7	7106695	Screw	1	
8	7106696	O-Ring, Check Valve	1	
9	7106697	Core, Check Valve	1	
10	7106698	Spring, Check Valve	1	
11	7106699	O-Ring	1	
12	7106700	O-Ring	2	
13	7106701	Quick Connect Connector, Outlet	1	
14	7106702	O-Ring	1	
15	7105705	Nut, Hand Tight	1	
16	700123	Screen, Water Inlet	1	
17	7106703	Inlet Connector	1	
18	7106704	O-Ring	1	
19	7105724	Ball	1	
20	7106705	O-Ring	2	
21	7106706	Unloader Valve Base	1	
22	7106647	Plug	3	
23	7106700	O-Ring	3	
24	7106708	O-Ring	3	Inlet Valve Kit
		Seat, Valve		
		Disk, Valve		
		Spring, Valve		
		Cage, Valve		
25	7106647	Plug	1	
26	7106710	Retainer	3	
27	7106711	Nut, Unloader Jam	1	Unloader Kit
		Nut, Unlader Adjustment		
		Spring, Unloader		
		Core, Unloader Valve		
		O-Ring		
		Back-Up Ring, Split		
		O-Ring		
		Pole, Unlader Valve		
		O-Ring		
		Back-Up Ring, Split		
		Spring, Pin		
		Pin		

#530004 PUMP DRAWING PARTS

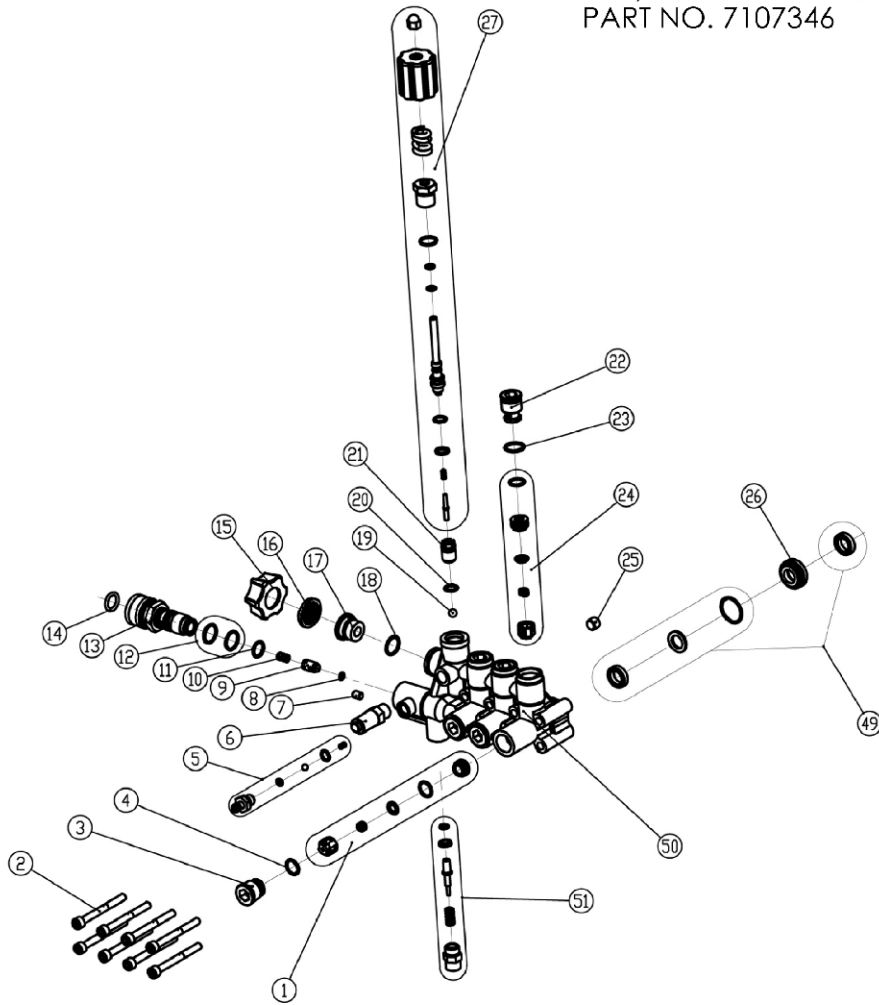
ITEM NO.	PART NO.	DESCRIPTION	QTY PER PUMP	COMMENT
28	7106721	Screw	3	
29	7106709	Cover, Side	1	Crankcase Side Cover Kit
		O-Ring		
		O-Ring		
		Sight Glass		
		Ring ø40, Retaining		
30	7106714	Ring ø20, Retaining	1	
31	7106715	Bearing	1	
32	7106716	Crankcase	1	
33	7106718	Bolt	3	Connecting Rod Kit
		Gasket		
		Plunger, Ceramic		
		Plunger, Pole Base		
		Connecting Road		
		Pin, Connecting Rod		
34	7106719	O-Ring	1	
35	7106720	End Cover	1	
36	7106721	Screw	4	
37	7106722	Screw	4	
38	7106723	Oil Seal	1	
39	7106724	Flange	1	
40	7106725	O-Ring	1	
41	7106726	Ring ø40, Retaining	1	
42	7106727	Needle Bearing	1	
43	7106728	Crankshaft, 9.4	1	
44	7106729	Screw	1	
45	7106730	O-Ring	2	
46	7105721	Plug	2	
47	7106731	Oil Seal	3	
48	7106732	Retainer, Seal	3	
49	7106733	Seal, Low Pressure	3	High and Low Pressure Seal Kit
		O-Ring		
		Ring, Anti-Ext		
		Seal High Pressure		
50	7106734	Pump Head	1	
51	7106628	Valve Cap, Pressure Boost	1	Pressure Boost Valve Kit
		Spring, Boost Valve		
		Valve, Pressure Boost		
		Back Ring		
		O-Ring		



PUMP KIT, 530004 CRANKCASE
 PART NO. 7107347
#530004 PUMP DRAWING PARTS

ITEM NO.	PART NO.	DESCRIPTION	QTY PER PUMP	COMMENT
28	7106721	Screw	3	
29	7106709	Cover, Side	1	Crankcase Side Cover Kit
		O-Ring		
		O-Ring		
		Sight Glass		
		Ring ø40, Retaining		
30	7106714	Ring ø20, Retaining	1	
31	7106715	Bearing	1	
32	7106716	Crankcase	1	
33	7106718	Bolt	3	Connecting Rod Kit
		Gasket		
		Plunger, Ceramic		
		Plunger, Pole Base		
		Connecting Rod		
		Pin, Connecting Rod		
34	7106719	O-Ring	1	
35	7106720	End Cover	1	
36	7106721	Screw	4	
37	7106722	Screw	4	
38	7106723	Oil Seal	1	
39	7106724	Flange	1	
40	7106725	O-Ring	1	
41	7106726	Ring ø40, Retaining	1	
42	7106727	Needle Bearing	1	
43	7106728	Crankshaft, 9.4	1	
44	7106729	Screw	1	
45	7106730	O-Ring	2	
46	7105721	Plug	2	
47	7106731	Oil Seal	3	

PUMP KIT, 530004 MANIFOLD
PART NO. 7107346



#530004 PUMP DRAWING PARTS

ITEM NO.	PART NO.	DESCRIPTION	QTY PER PUMP	COMMENT
1	7106691	Cage, Valve	3	Outlet Valve Kit
		Spring, Valve		
		Disk, Valve		
		O-Ring		
		Seat, Valve		
2	7106692	Screw	8	
3	7106693	Plug	3	
4	7106694	O-Ring	3	
5	7104228	Fitting, Soap Injection	1	Soap Injector Kit
		O-Ring		
		Ball, Soap Valve		
		O-Ring		
		Spring, Soap Valve		
6	7101359	Valve, Thermal Relief	1	
7	7106695	Screw	1	
8	7106696	O-Ring, Check Valve	1	
9	7106697	Core, Check Valve	1	
10	7106698	Spring, Check Valve	1	
11	7106699	O-Ring	1	
12	7106700	O-Ring	2	
13	7106701	Quick Connect Connector, Outlet	1	
14	7106702	O-Ring	1	
15	7105705	Nut, Hand Tight	1	
16	700123	Screen, Water Inlet	1	
17	7106703	Inlet Connector	1	
18	7106704	O-Ring	1	
19	7105724	Ball	1	
20	7106705	O-Ring	2	
21	7106706	Unloader Valve Base	1	
22	7106647	Plug	3	
23	7106700	O-Ring	3	Inlet Valve Kit
		Seat, Valve		
		Disk, Valve		
		Spring, Valve		
		Cage, Valve		
25	7106647	Plug	1	
26	7106710	Retainer	3	
27	7106711	Nut, Unloader Jam	1	Unloader Kit
		Nut, Unloader Adjustment		
		Spring, Unloader		
		Core, Unloader Valve		
		O-Ring		
		Back-Up Ring, Split		
		O-Ring		
		Pole, Unloader Valve		
		O-Ring		
		Back-Up Ring, Split		
		Spring, Pin		
Pin				
48	7106732	Retainer, Seal	3	
49	7106733	Seal, Low Pressure	3	High and Low Pressure Seal Kit
		O-Ring		
		Ring, Anti-Ext		
		Seal High Pressure		
50	7106734	Pump Head	1	
51	7106628	Valve Cap, Pressure Boost	1	Pressure Boost Valve Kit
		Spring, Boost Valve		
		Valve, Pressure Boost		
		Back Ring		
		O-Ring		